

# Finished Assembly

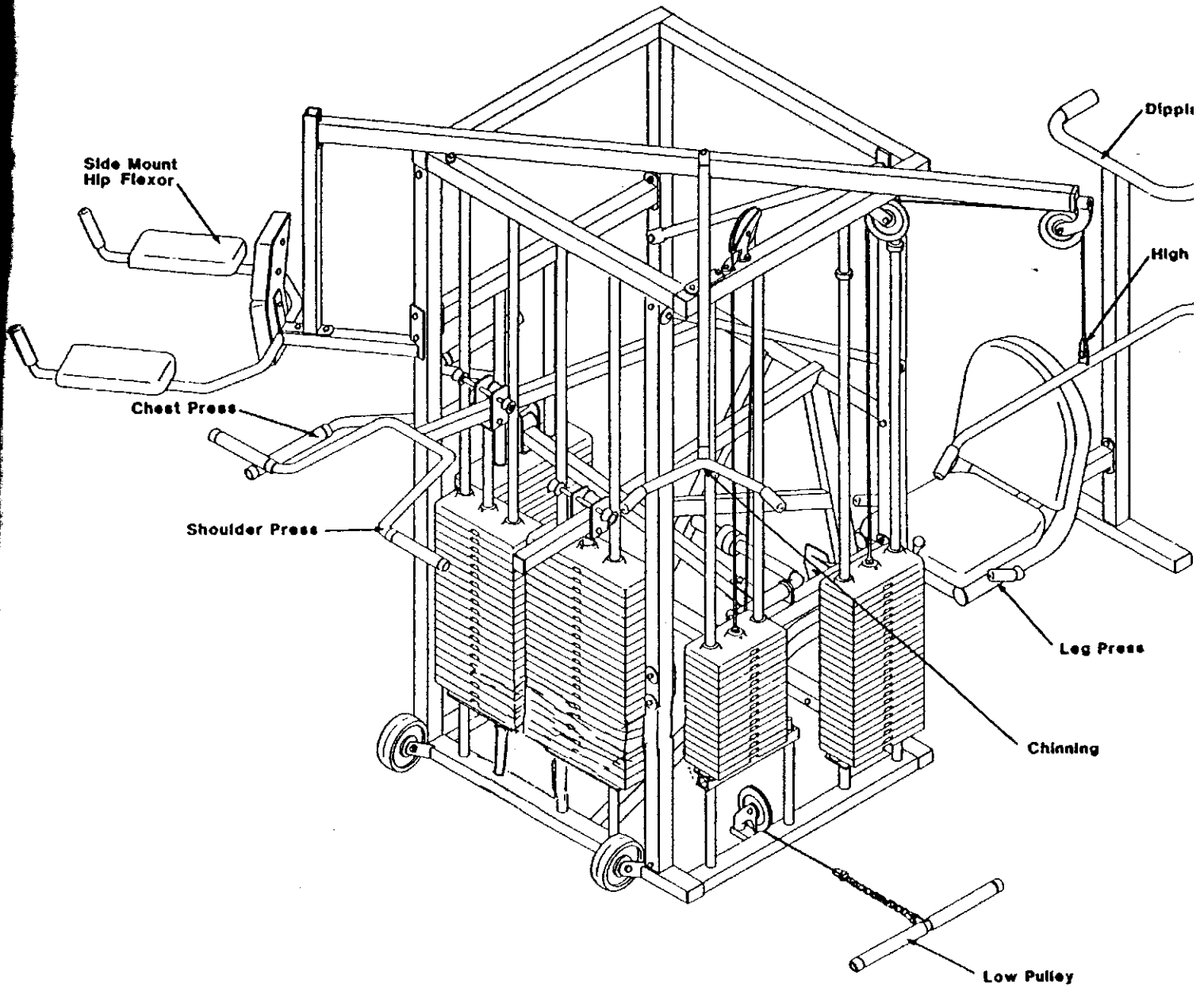


Figure 3

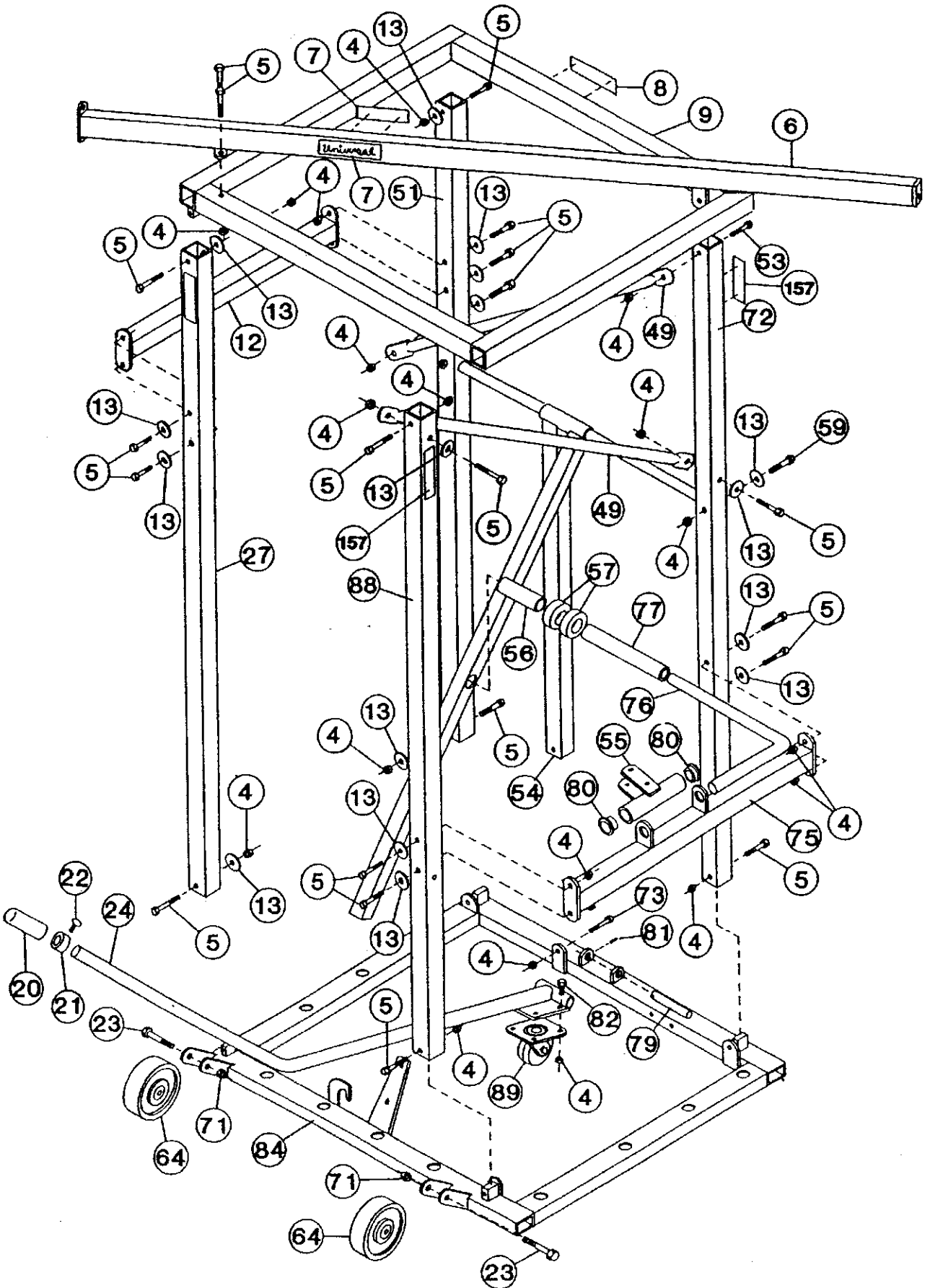


Figure 4

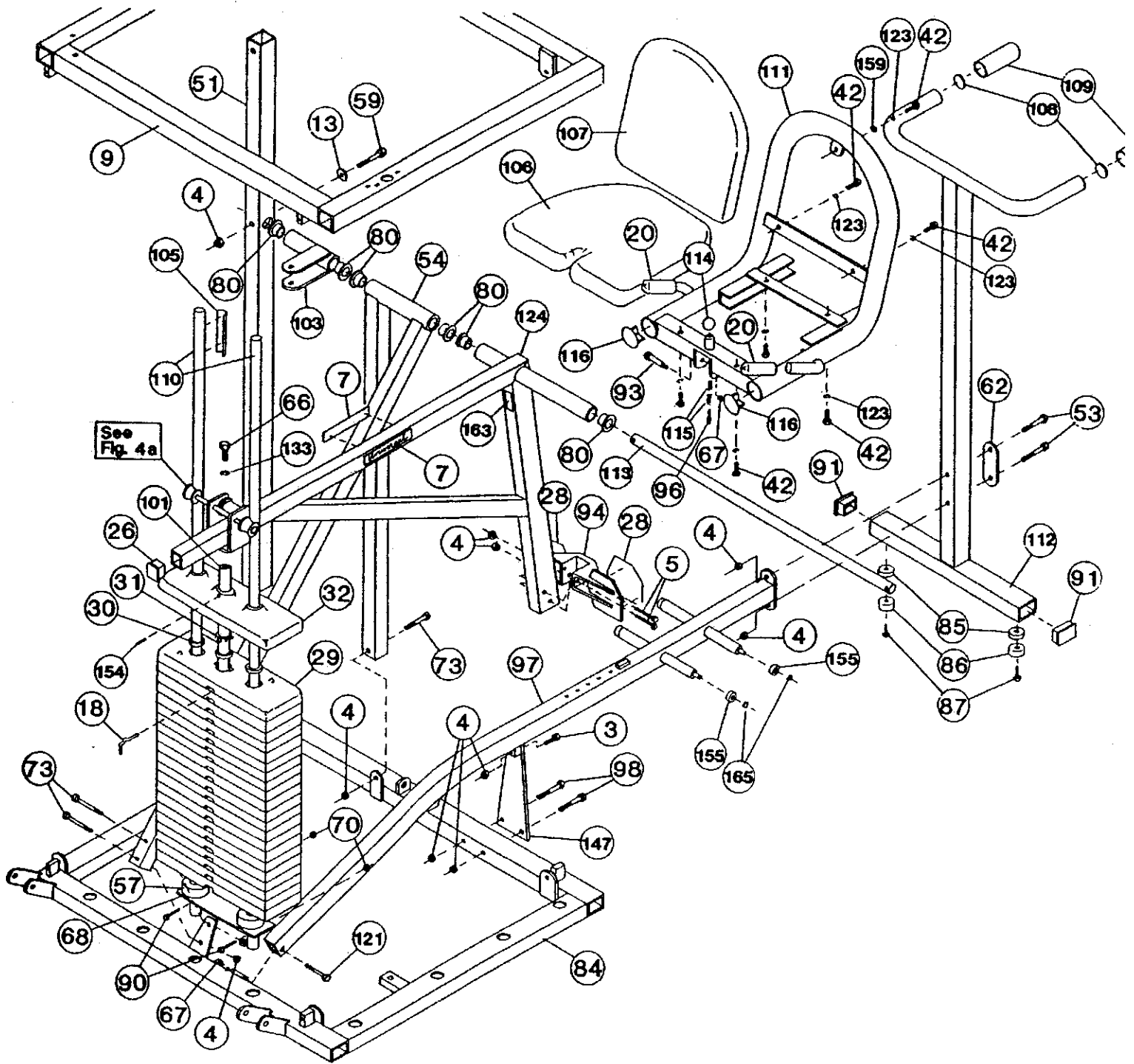
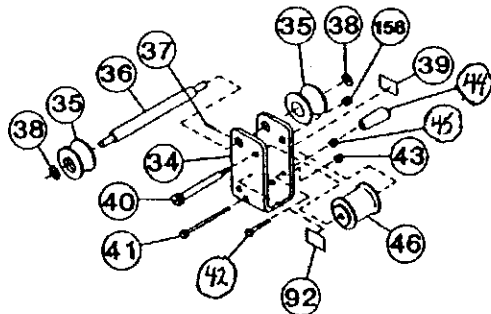


Fig. 4a (Roller Assy)



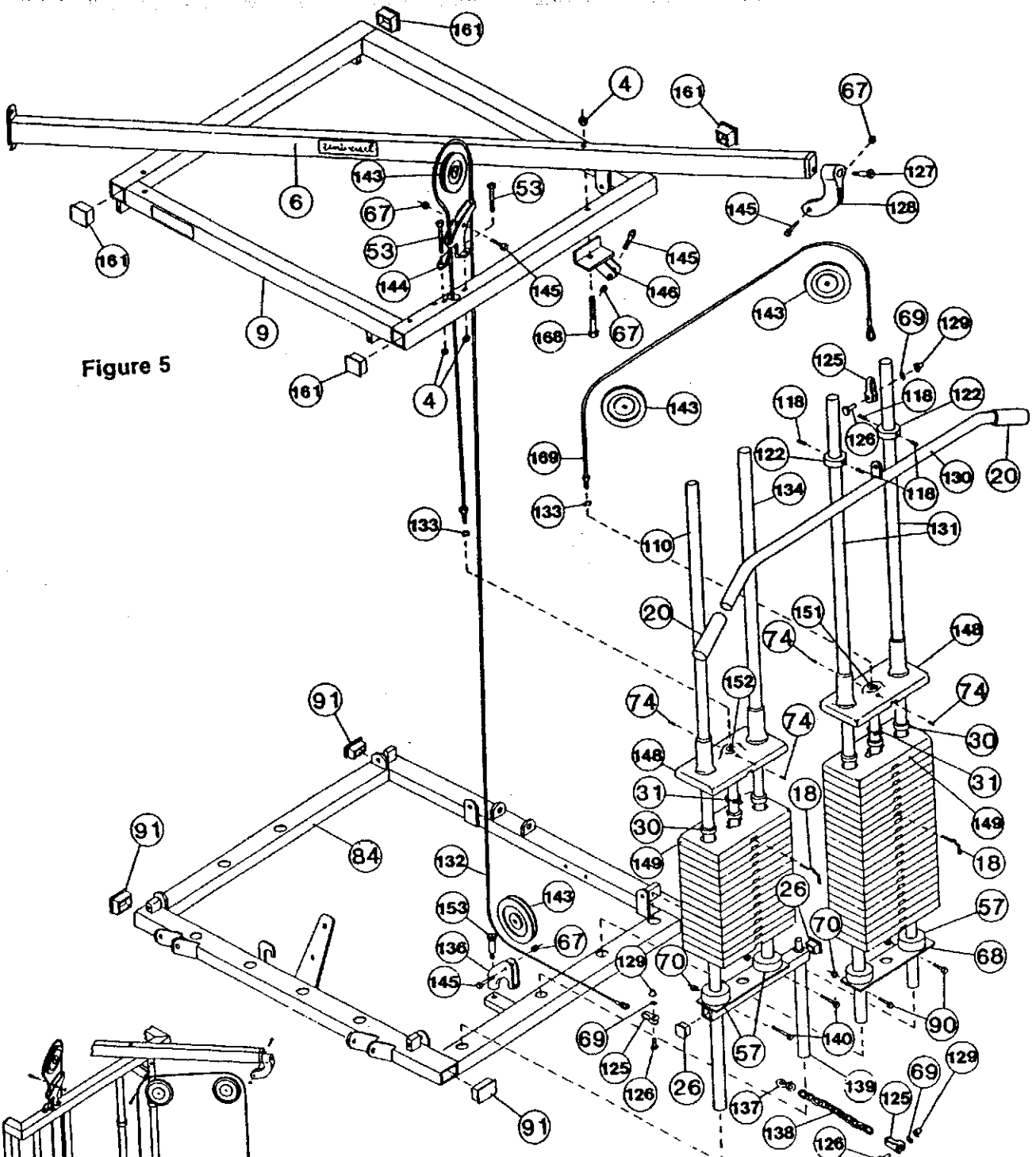


Figure 5

Fig. 5a

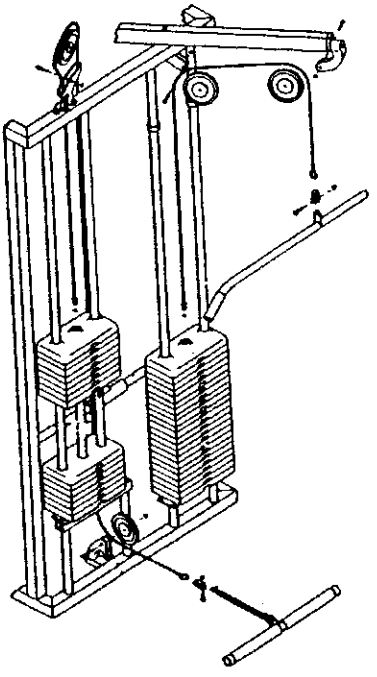


Figure 6

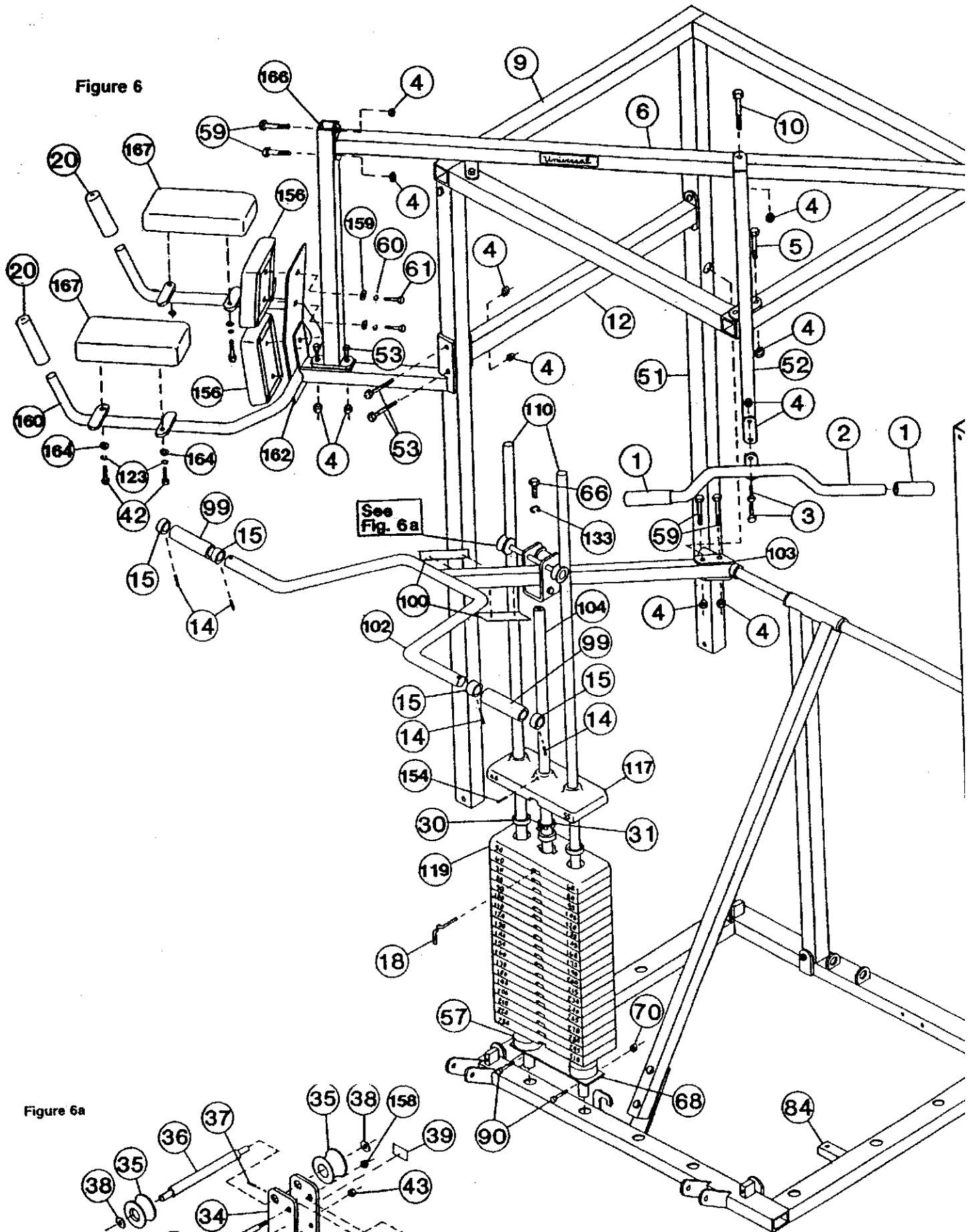
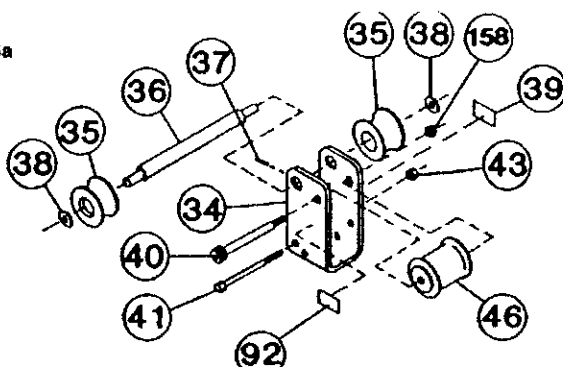


Figure 6a



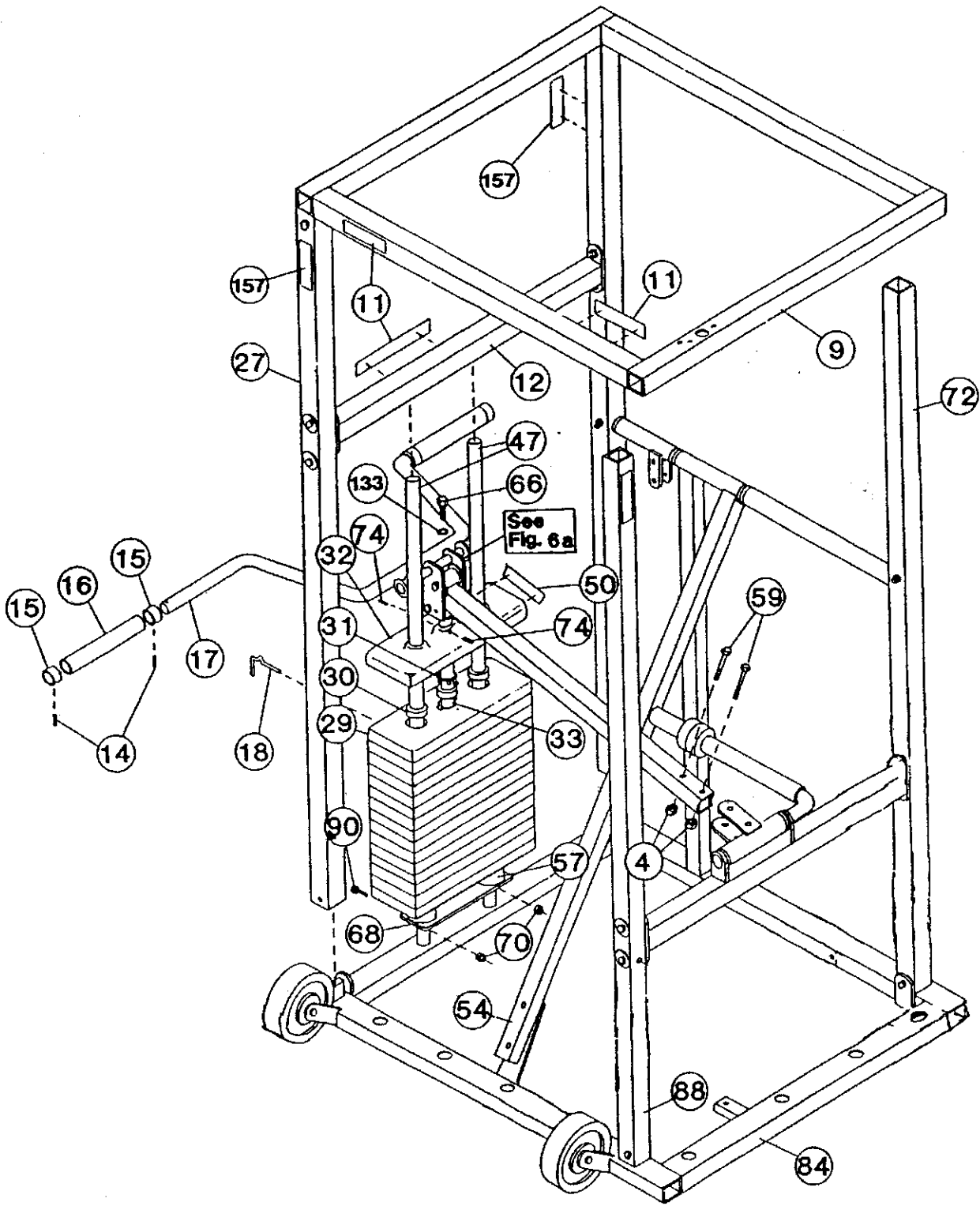


Figure 7

## PARTS LIST

CENTURION

ITEM	PART NO	DESCRIPTION
1	99372	GRIP-BLACK 7/8"X7 1/2"
2	98224	CHINNING HANDLE ASSEMBLY (INCLUDES #1 & 2)
3	99609	SCREW-3/8X16X1 1/4 GRADE 5
4	94213	NUT-3/8-16 TORK LOK
5	99612	SCREW-3/8-16X 2 3/4 GRADE 5
6	993170	DIAGONAL BAR ASSEMBLY (INCLUDES #6,127,128)
7	97622	DECAL-UNIVERSAL/ADDRESS 5 1/2"
8	97612	SCREW-3/8-16X2 3/4 GRADE 5
9	99175	TOP FRAME WELDMENT
10	99615	SCREW-3/8-16X3 1/2 GRADE 5
11	99361	DECAL-SELECT STARTING POSITION
12	99176	TOP RUNNER GUIDE BRACKET-CHEST
13	99634	WASHER-3/8" FENDER
14	99637	ROLL PIN-1/4" X 5/8"
15	99138	COLLAR-GRIP W/ HOLE
16	99146	GRIP-CHEST HANDLE
17	99976	CHEST ARM ASSEMBLY (INCLUDES #14,15,16,17 & 50)
18	99249	SELECTOR KEY
19		SEE UPHOLSTRY CHART
20	99371	GRIP-BLACK 7/8" X 4 1/4"
21	99142	COLLAR-LIFT ARM
22	99315	THUMB SCREW- 5/16-18 X 1"
23	99618	SCREW-1/2-13 X 3 1/2" GRADE 5
24	992167	LIFT ARM ASSEMBLY (INCLUDES 4,20,21,22,24,82 & 89)
25	99281	FOOT REST-BACK ARCH
26	99309	PLUG - 1 1/2" SQUARE PLASTIC
27	99213	FRAME POST #4
28	992814	FRICITION PAD
29	990218	#15 WEIGHT-BLACK
	990187	#15 WEIGHT-CHROME
	990219	#20 WEIGHT-BLACK
	990191	#20 WEIGHT-CHROME
30	992143	BUSHING (CURRENT DESIGN)
31	97617	RETAINER (OLD DESIGN ONLY)
32	990188	#15 TOP WEIGHT PLATE-BLACK
	990189	#15 TOP WEIGHT PLATE-CHROME
	990192	#20 TOP WEIGHT PLATE-BLACK
	990193	#20 TOP WEIGHT PLATE-CHROME
33	993185	SELECTOR SHAFT
34	99328	ROLLER BRACKET ASSEMBLY FOR CHEST & SHOULDER (INCLUDES #34,35,36,37,38,39,40,41,43,46,& 92,158)
	99327	ROLLER BRACKET ASSEMBLY FOR LEG PRESS (INCLUDES #34,35,36,37,38,39,40,41,43,44,,45,46,& 92,158)

## PARTS LIST

CENTURION

35	994495	ASSEMBLY-RUNNER GUIDE ROLLER
36	99332	SHAFT - ROLLER BRACKET
37	95714	ROLLER PIN - 1/8" X 5/8"
38	99326	RETAINING RING - 7/16" ID
39	99367	DECAL-VARIABLE RESISTANCE
40	99629	SHOULDER BOLT - 1/2" X 2 1/2"
41	99622	SCREW - 7/16 - 14 HEX LOCK
42	99600	SCREW - 1/4-20 X 1 GRADE 5
43	99625	NUT - 7/16 - 14 HEX LOCK
44	99340	PLASTIC INDICATOR
45	94116	NUT - 1/4 - 20 HEX
46	99330	ASSEMBLY- LIFT ARM ROLLER
47	99349	RUNNER GUIDE- CHEST
48	99370	GRIP- BLACK 5/8" X 3"
49	99258	ROUND TUBE BRACE
50	99362	DECAL- CHEST PRESS
51	99210	FRAME POST #1
52	98571	HIP FLEXOR EXTENSION WELDMENT
53	99613	SCREW - 3/8 - 16 X 3 GRADE 5
54	99150	SQUARE TUBE BRACE
55	99987	ASSEMBLY- CHEST PIVOT TUBE (INCLUDES #55 & 80)
56	99171	SHORT SPACE- BELLCRANK
57	99265	RUBBER DONUT - 1 1/16" ID
58	99325	ALUMINUM DISK - 3/4"
59	99611	SCREW - 3/8-16X2 1/2" GRADE 5
60	99633	LOCKWASHER- 5/16"
61	99602	SCREW - 5/16-18 X 1" HEX HEAD CAP
62	992160	BRACKET- 1/4" X 2" X 4 1/2"
63	99182	WELDMENT- BACK ARCH FRONT
64	99305	WHEEL - BOTTOM FRAME
65	99181	WELDMENT- BACK ARCH CENTER FRAME
	98562	BACK ARCH CENTER FRAME ASSEMBLY (INCLUDES #14,25,26,60,65,71,83,114,120,135,142,150,161 & 184)
66	99660	SCREW- 1/2 -13 X 1" GRADE 5
67	99620	NUT- 5/16 - 18 HEX LOCK
68	99242	WELDMENT- BOTTOM RUNNER GUIDE BRACKET- CHROME
69	94283	FASTENER- PUSHNUT
70	99662	NUT- 5/16 - 24 HEX LOCK
71	94215	NUT- 1/2 - 13 HEX LOCK
72	99211	FRAME POST #2 (NOTE: 4-6 STATION MACHINES USE #99436 FRAME POST #2 WRIST ROLLER)
73	99610	SCREW- 3/8 - 16 X 2 1/4 GRADE 5
74	99638	ROLL PIN - 5/16" X 3/4"



## PARTS LIST

CENTURION

75	99151	PIVOT SHAFT SUPPORT WELDMENT
76	99154	PIVOT SHAFT & STOP WELDMENT
77	99170	LONG SPACER- BELLCRANK
78		SEE UPHOLSTRY CHART
79	99124	LIFT ARM PIVOT SHAFT
80	99148	BUSHING
81	99665	SPRING PIN- 3/16" X 5/8"
82	99608	SCREW - 3/8 -16 X 1 HEX HEAD CAP GRADE 5
83	99655	SCREW - 1/2 - 13 X 5 GRADE 5
84	99174	BOTTOM FRAME WELDMENT
85	99248	CAP GLIDE
86	99266	RECESS BUMPER GLIDE
87	99314	SCREW- 5/16 - 12 X 3/4 HEX HEAD SELF TAPPING
88	99212	FRAME POST #3 (NOTE: 4-6 STATION MACHINES USE #99437 FRAME POST #3 WRIST ROLLER)
89	99306	LIFT ARM WHEEL
90	99661	SCREW- 5/16-24 X 1 3/4 GRADE 5
91	98833	PLUG - 1 1/2" X 2 1/2" PLASTIC
92	98960	DECAL- PATENT ROLLER
93	92470	SHOULDER BOLT - 3/8" X 2 1/2"
94	99337	FOOT PEDAL
95	99710	BUMPER RUBBER SLEEVE
96	993684	PLUNGER
97	99952	CHAIR EXTENSION WELDMENT (INCLUDES #97,155,165)
98	99614	SCREW - 3/8 -16 X 3 1/4" HEX HEAD CAP
99	99147	GRIP- SHOULDER HANDLE
100	99364	DECAL-SHOULDER PRESS
101	993185	SELECTOR SHAFT-LEG PRESS
102	99977	SHOULDER ARM ASSEMBLY (INCLUDES# 14,15,99,100,102)
103	99974	SHOULDER PIVOT TUBE ASSEMBLY (INCLUDES 103 & 80)
104	993187	SELECTOR SHAFT-SHOULDER PRESS
105	99366	DECAL-LEG PRESS
106		SEE UPHOLSTRY CHART
107		SEE UPHOLSTRY CHART
108	992312	DISC-END CAP
109	99373	GRIP- 1 3/8 X 6" BLACK
110	99255	RUNNER GUIDE- LEG PRESS
111	99842	CHAIR FRAME PACK(INCLUDES#20,67,93,96,111,114,115 & 116)
112	99979	DIPPING STATION ASSEMBLY(#85,86,87,91,108,109,&112)
113	99132	PIVOT SHAFT-2 HOLE
114	99310	PLASTIC KNOB
115	99320	COMPRESSION SPRING
116	99374	PLUG-2" O.D.

## PARTS LIST

CENTURION

117	990184	#10 TOP WEIGHT PLATE-BLACK
	990185	#10 TOP WEIGHT PLATE-CHROME
	990188	#15 TOP WEIGHT PLATE-BLACK
	990189	#15 TOP WEIGHT PLATE-CHROME
118	92433	SCREW-3/8-16X3/8" SET
119	990217	#10 WEIGHT PLATE-BLACK
	990183	#10 WEIGHT PLATE-CHROME
	990218	#15 WEIGHT PLATE-BLACK
	990187	#15 WEIGHT PLATE-CHROME
120	98046	COMPRESSION SPRING
121	99606	SCREW-5/16-18X 2 1/2" HEX HEAD CAP
122	99350	STOP COLLAR - RUNNER GUIDE
123	94361	LOCKWASHER-1/4"
124	98555	BELLCRANK ASSEMBLY(INCLUDES #4,5,7,26,28,80,91,94,124 & 163)
125	99247	CLEVIS-FLAT
126	99307	CLEVIS PIN-3/8 X 1"
127	99631	SHOULDER BOLT-5/8" X 1 1/2"
128	99275	PULLEY BRACKET 1001A
129	99319	CAP- CLEVIS PIN
130	99658	LAT BAR ASSEMBLY(INCLUDES#20,69,125,126,129,130)
131	99254	RUNNER GUIDE-HI PULLEY
132	98244	CABLE ASSEMBLY-LOW PULLEY
133	94376	LOCKWASHER-1/2"
134	99256	RUNNER GUIDE(SHORT)-LOW PULLEY
135	992739	SCREW-5/16-18X1 1/4' HEX HEAD CAP GR5
136	99277	PULLEY BRACKET 2053A
137	99386	"S" HOOK PIG TAIL
138	99394	CHAIN-15" LONG
139	99243	LOW PULLEY RUNNER GUIDE WELDMENT
140	92810	SCREW- 5/16-24X2 HEX HEAD GRADE 5
141	99376	ARM CURL ASSEMBLY
142	993685	PLUNGER
143	99346	PULLEY WHEEL-NEW
144	99279	PULLEY BRACKET 2076
145	99603	SCREW-5/16-18X1 1/2" HEX HEAD CAP GR5
146	99180	PULLEY BRACKET WELDMENT
147	99190	MOUNTING PLATE-CHAIR EXTENTION
148	990184	10# TOP WEIGHT ASSEMBLY-BLACK
	990185	10# TOP WEIGHT ASSEMBLY-CHROME
149	990217	10# WEIGHT-BLACK
	990183	10# WEIGHT-CHROME
150	993076	ADJUST WELDMENT-BACK ARCH
151	993207	SELECTOR SHAFT-HI PULLEY

## PARTS LIST

CENTURION

152	993209	SELECTOR SHAFT- LOW PULLEY
153	99630	SHOULDER BOLT-5/8X1 1/4"
154	95751	PIN-5/16X2"
155	993104	BEARING-SINGLE ROW
156		SEE UPHOLSTRY CHART
157	97601	LABEL-WARNING
158	99621	NUT-3/8-16 HEX LOCK
159	94296	WASHER-5/16"
160	99943	FRAME PACK SIDE MOUNTED HIP FLEXOR (INCLUDES#4,20,53,59,166)
161	98961	PLUG-2" SQUARE PLASTIC
162	992156	MOUNTING PLATE WELDMENT-HIP FLEXOR
163	97623	DECAL-SERIAL NUMBER
164	94291	WASHER-1/4" PLAIN
165	97714	RETAINING RING
166	992148	SIDE MOUNTED HIP FLEXOR WELDMENT
167		SEE UPHOLSTRY CHART
168	99656	SCREW- 3/8 - 16 X 5" HEX HEAD CAP
169	98243	HI PULLEY CABLE ASSEMBLY
170	92764	SCREW- 5/16 - 18 X 3 1/2
171	97727	RETAINING RING- 1.076 O.D. 14 PRONG EXTERNAL
172	99495	ROLLER SHAFT
173	92498	SCREW --1/4-20 X 2 1/2" HEX HEAD CAP
174	99476	WELDMENT--T/K EXTENSION
175	992492	T/K ARM WELDMENT ASSEMBLY (INCLUDES #26,175, & 182)
176	99709	RUBBER DONUT
177	52222	NYLON WASHER--.781 ID X 2.50 OD
178	99472	T/K LEG WELDMENT
179		SEE UPHOLSTRY CHART
180	992494	PIVOT SHAFT- T/K 3"
181	99649	SCREW - 1/4-20 X 2 1/4" HHC
182	99723	BEARING-- T/K
183	99470	CABLE ASSY--T/K SHORT
184	99126	ROLLER SHAFT--BACK ARCH CENTER FRAME
		<b>THE FOLLOWING PARTS ARE ON SIX STATION MACHINES ONLY:</b>
185	99436	FRAME POST #2 (SEE ITEM #72)
186	99437	FRAME POST #3 (SEE ITEM #88)
187	99663	SCREW-- 3/8-16 X 2"
188	92764	SCREW -5/16-18 X 3 1/2" HEX HEAD CAP GRADE 5
189	99415	PLUG
190	99419	WRIST ROLLER BAR
191	99396	WRIST ROLLER ASSEMBLY
192	99397	WRIST ROLLER ASSEMBLY